



SnapTracker Bolt Seal



The SnapTracker Bolt Seal is a barrier class seal, designed for securing high value cargo. A solid steel bolt provides strength while a molded plastic coating provides tamper-evidence.

The SnapTracker is **C-TPAT Compliant** and meets the standard for a High Security Seal as outlined in the ISO 17712: 2013 specifications. 

BOLT SEAL

APPLICATIONS

- Trailer Door Latches
- Container Door Latches

FEATURES

- Available as a Standard Product
 - Order online and GET IT NOW, FOR LESS!
- ISO 17712: 2013 classification - High Security
- Large flag on both the bolt and body allows laser printed information to be easily read
- Both parts are numbered to prevent fraud by replacement of either bolt or body
- Parts come attached in a unique package for ease of use and accurate tracking of numbers
- Interlocking joint to protect against tampering

MATERIAL

- Body: ABS Plastic with Steel Insert
- Bolt: Steel with Plastic Cover

STRENGTH CHARACTERISTICS

- 3000 lbs.

DIMENSIONS

- Diameter: 1/2" (12.7mm)
- Operational Length: 2.5" (63.5mm)
- Minimum slot for seal to pass through: 3/8" (9.5mm)



SnapTracker Bolt Seal



MARKING/PRINTING

- Minimum quantities apply to customized versions of this product – please call for details
- Durable laser markings
- Numbering: 8 Digits and 8 Characters

COLORS

Standard Colors: Red / Blue / Green / Yellow

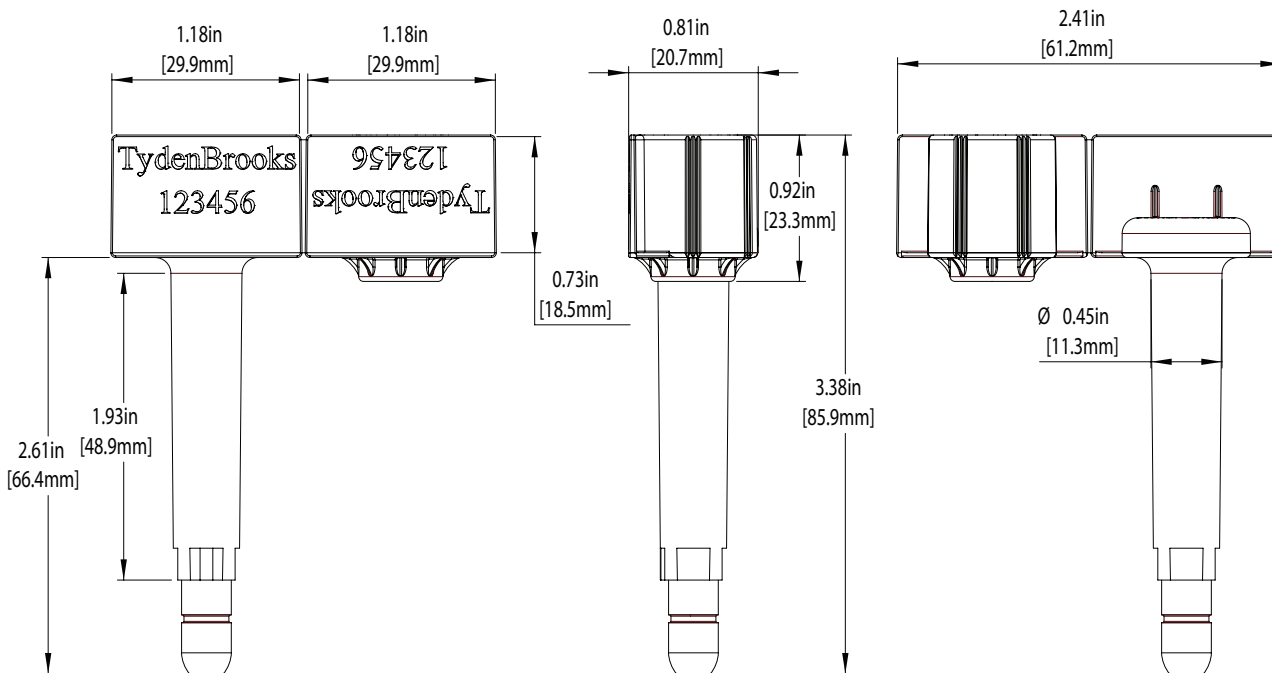
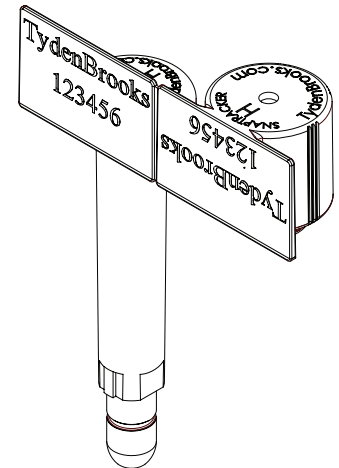


Custom Colors: Black / White / Orange



PACKAGING

- 200 seals per box
- Gross Weight: 28 lbs per box (13 kg)
- Box Dimensions: 16" x 12" x 11" (41cm x 31cm x 28cm)



SnapTracker 15V2

