

## Roto Seal - TOOL- LESS

### Product rating

- A - Stock item generically marked
- B - Locally marked in house.
- C - Factory manufactured and marked
- D - Price and delivery on application (long lead item)

### Applications

- Meters Gasoline Pumps
- Fibre Drums Totes
- Scales

### Features

- Two component acrylic seal.
- Wire rotates around insert.
- Attached stainless steel wire up to 18" (304.8mm) long.
- Spools or precut lengths of wire or Kevlar non-conductive wire also available. Optional barcode is available.

### Material

Acrylic - 1 x 7 x .009 soft stainless steel wire (.027 OD)

### Marking/Printing

Standard decoration: heat stamped, consecutive number (7 digits) and company name/logo; last three digits of serial number laser etched on insert as an option.

### Special decoration:

Laser etched bar code with human readable numbers  
Barcode Parameters: Code 128 – 7 alphanumeric characters, Interleaved 2 of 5 – 8 numeric (must be even number of character) or Code 39 – 5 alphanumeric characters

### Standard Colours

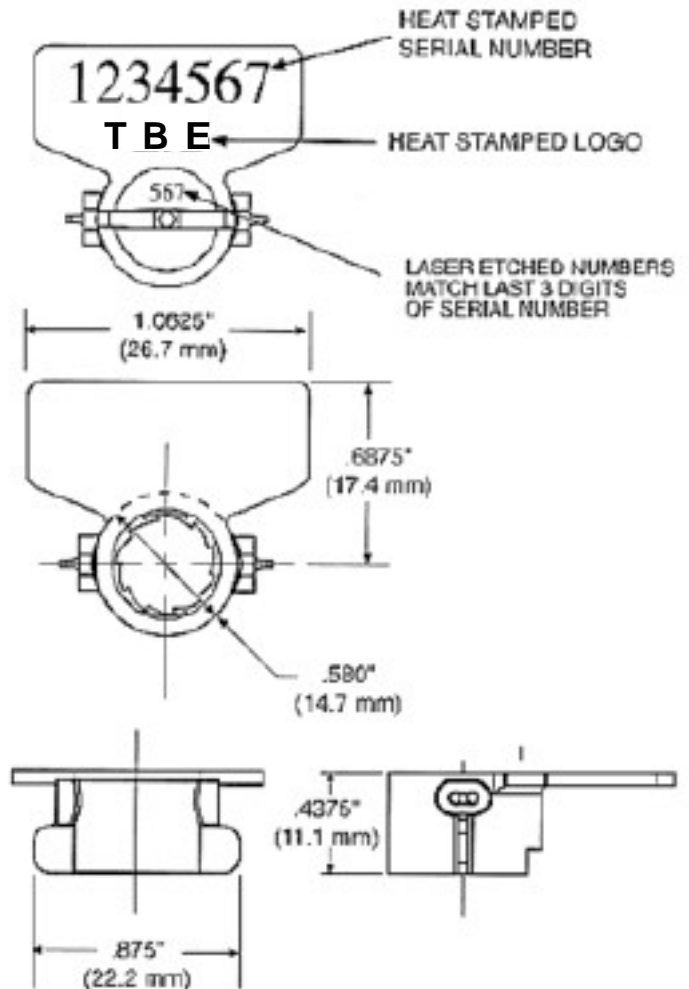
Body:, clear .  
Insert: Red / Dark Blue / Dark Green / Yellow / Orange / Grey

### Product Numbers

- 74000XX-27 – w/o attached wire
  - 74108XX-27 – w/ attached 8" Kevlar wire
  - 74708XX-27 – w/ attached 8" 7 x .009" (.2mm) soft stainless wire
  - 76708XX-27 – w/ bar code w/ attached 8" 7 x .009" (.2mm) soft stainless wire
- Note: XX denotes colon selection, 27 denotes clear body

### Packaging

- Without Wires
- Standard Packaging: 100/Bag – 5,000/Carton
- Carton Dimensions: 28" x 15" x 10" (70cm x 37.5cm x 25cm)
- Carton Weight: Gross: 34 lbs (15 kg) Net: 30 lbs (14 kg)
- With Attached 8" Wires
- Standard Packaging: 100/Bag – 2,500/Carton
- Carton Dimensions: 28" x 15" x 10" (70cm x 37.5cm x 25cm)
- Carton Weight: Gross: 34 lbs (15 kg) Net: 30 lbs (14 kg)



### Patent Numbers

US 5,419,599; 6,000,736; 6,007,121; 6,390,519 B1  
Taiwan NI144464; 128172