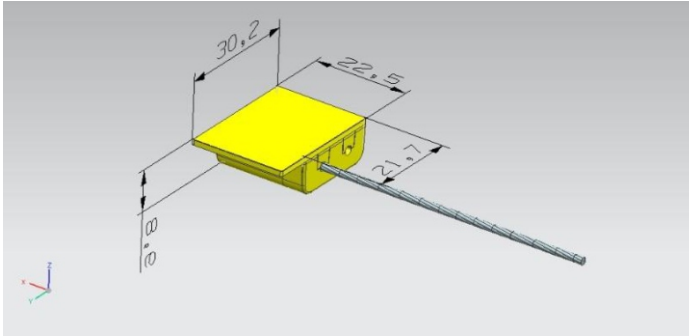


NEW ADJUSTABLE LENGTH CABLE SEAL FOR VARIOUS APPLICATIONS



Applications

Containers, Trucks, Tanks, Doors, Airline Carts

Material

Zinc extrusion wrapped with ABS

Cable Specifications

1).Galvanized or stainless steel wire

Dimensions

1.8mm or 2.5mm diameter cable with standard length of 25cm

(Other lengths available on request)

Dimension of lock head: 30.2mm X 22.5mm X 8.9mm

Marking / Printing

Thermal transfer or laser printing

Customer's company name & logo, Sequential numbers

Bar coding is available upon request

Stock Colours

White and Yellow with laser marking TYDENBROOKS + Serial Numbers

Other colours available on request

Packaging

100pcs/bag, 5bags/carton

36*28*10CM

Tyden Brammall of Scandinavia - Fragtsikkerheds Eksperten
 Stolpegårdsvej 7 , 2820 Gentofte
 tyden@tyden.dk - www.tyden.dk - +4539682634 +452421344